

Notification of Intent to Invite Bids

Method: International Competitive Bidding (ICB)

Provide upgrade to Kosovo Force (KFOR) Theatre Liaison Kits, and Provide NATO Mission Iraq (NMI) with Mobile CIS

NCI Agency Reference #: IFB-CO-115788-TLK

Estimated Amount: 6,000,000.00 EUR

NOI Closing Date: 31 March 2025

Solicitation Release Date: Anticipated on 5 May 2025

Solicitation Closing Date: Anticipated on 16 June 2025

Contract Award Date: Anticipated on 30 September 2025

Competition Type: ICB Lowest Priced Technically Compliant

The NCI Agency hereby notifies the NATO Nations of its intent to invite bids for the upgrade of theatre Liaison Kit for KFOR and Mobile CIS for NMI.

****Neo eProcurement Registration****

Attention Suppliers,

The NCI Agency is stepping into a new era of procurement. We have launched an eProcurement tool, Neo, to make our collaborations smoother, faster, and more transparent. If you are keen to do business with us, you will need to register in [Neo](#). This tool will offer suppliers visibility into past, current and upcoming business opportunities, and streamlines the competition cycles, contract awards, and account management.

NCI Agency Point of Contact

Tiziana Pezzi, Principal Contracting Officer
Kenya Elise Armbrister, Senior Contracting Assistant

Email: IFB-CO-115788-LTK@ncia.nato.int

Annexes:

- A. Summary of Requirements
- B. Distribution List

To : Distribution List

Subject : **Notification of Intent to Invite Bids for Provide upgrade to Kosovo Force (KFOR) Theatre Liaison Kits, and Provide NATO Mission Iraq (NMI) with Mobile CIS**

References :

- A.** AC/4-D/2261 (1996 Edition), NATO Security Investment Programme Procedures for International Competitive Bidding and its Annex X (NSIP);
- B.** AC/4-D(2011)0009-Final Alliance Operations and Mission NSIP Procurement Regulations
- C.** NATO Investment Committee Decision Sheet, AC/4-DS(2023)0009
- D.** NATO Investment Committee Decision Sheet, AC/4-DS(2024)0031

-
1. In accordance with References A through D, the NCI Agency, as the Host Nation responsible to implement the project in subject, hereby gives notice of its intent (NOI) to issue an Invitation for Bid (IFB) for Provide upgrade to Kosovo Force (KFOR) Theatre Liaison Kits, and Provide NATO Mission Iraq (NMI) with Mobile CIS, hereafter referred to as the "Project".
 2. A high-level summary of the Project's technical requirements is set forth in Annex A hereto. These requirements are being refined and will be included in further details as part of the IFB.
 3. The reference for this Project is IFB-CO-115788-TLK, and all correspondence concerning this NOI and subsequent IFB should reference this number.
 4. The NCI Agency plans to issue an IFB using the International Competitive Bidding (ICB) Procedure for Lowest Priced Technically Compliant (LPTC) evaluations. A single, firm-fixed price contract is planned for the entire scope of work.
 5. Eligibility to participate in the subsequent IFB is declared by national authorities. Hence, qualified and certified companies interested in receiving the IFB for this Project are hereby requested to provide a Declaration of Eligibility (DoE), **sent** by their Delegation/Mission to NATO to the NCI Agency contracting authority not later than 31 March 2025, which is 25 calendar days after the date of this letter.
 - a. In addition to the certification of the company's security clearances required under this NOI, the DoE should include the following information for each of the nominated companies:
 - Company name
 - Company address
 - Point of Contact (PoC)

- PoC email address
 - PoC telephone number
- b. This information is critical to enable prompt and accurate communication with prospective bidders and should be sent electronically to IFB-CO-115788-LTK@ncia.nato.int
6. In order to maximize competition the NCI Agency may, at its discretion, accept nominations after the deadline, so long as the IFB has not been issued. The NCI Agency may even accept, at its discretion, nominations after the IFB has been issued under the condition that such late nomination will not be used as the basis to request an extension to the bid closing date.
 7. Requests for participation in this competition received directly from individual companies will not be considered.
 8. Bidders will be required to declare a bid validity of 12 months from bid closing date. Should the selection and award procedure exceed the bid closing date by more than 12 months, companies will be requested to voluntarily extend the validity of their bids accordingly. Bidders may decline to do so, withdraw their bid and excuse themselves from the bidding process without penalty.
 9. National authorities are advised that the IFB package is anticipated to be NATO UNCLASSIFIED. However, the IFB and the contractual documents could contain references to other NATO documents classified as NATO RESTRICTED.
 10. The successful bidder will be required to handle and store classified information up to the level of NATO RESTRICTED. In addition, contractor personnel will be required to work unescorted in Class II Security areas. Therefore, access can only be permitted to cleared individuals. Only companies maintaining such cleared facilities and the appropriate personnel clearances will be able to perform the resulting contract.
 11. The NCI Agency reserves the right to cancel, suspend, or withdraw this NOI at its own discretion and at any time. The NCI Agency is not liable for any expenses incurred by companies in conjunction with their responses to this NOI and such responses shall not be regarded as a commitment of any kind concerning future procurement of the items or services described herein.
 12. Your assistance in this procurement is greatly appreciated.

For the Chief of Acquisition:

Tiziana Pezzi
Principal Contracting Officer

Annex A – Summary of Requirements

**Project No. 2021/1CM03056 NSP016765 2019/1CM03035 NSP014645,
2019/1CM03035 NSP014645**

1. Project Objective

The project will provide a secure, easy-to-use, lightweight, responsive deployable C2 communications package able to assure secure classified data, video teleconferencing and voice services to a maximum community of four (4) users in Kosovo Force (KFOR) and nine (9) users per domain in NATO Mission Iraq (NMI), in two (02) Security Domains (xU and xS). The KFOR equipment may be used from a vehicle or deployed into a building of opportunity, the NMI equipment will be used at static locations. The equipment will be known as Theatre Small Team Kits (TSTK).

2. Scope of Work

This project delivers two variants of the TSTK:

- The KFOR TSTK will provide user consumed services simultaneously to ONE (01) user on xU and THREE (03) users on xS in On the Move (OTM), At the Quick Halt (ATQH), On the Pause (OTP) and Building of Opportunities (BOO) use case scenarios;
- NMI TSTK will provide user consumed services simultaneously to NINE (09) users on xU and NINE (09) users on xS in OTP and BOO use case scenarios;
- The TSTK reference system which contains only ONE (01) instance Base Kit.

The project will provide TWO (02) NMI TSTK mobile CIS packages FOUR (04) KFOR TSTK mobile CIS packages and ONE (01) TSTK reference system.

This project will also bring changes to the static infrastructure and Mission Anchor Function (MAF), in order to deliver a security compliant solution that also meets the customer requirements.

The NMI Operational Requirement specifically mentions Skype for Business (SfB) as solution for the Instant Messaging Services. This project will convert the PoC SfB solution into a consolidated service hosted in the NMI MAF to the benefit of TSTK users but migration of existing users from the PoC solution into the consolidated service is not in scope of this project.

The migration of existing NMI DPOPs (CGS, IMCD, etc.) into the new Traffic Optimization solution provided is not in scope of this project.

The migration of existing NMI users (non-TSTK Users) into the new NAC solution is not in scope of this project.

3. Period of Performance

- a. The Period of Performance is anticipated to start in Q4 2025 and end in Q3 2027. It is important to note that this timeline represents the anticipated duration of the Project, and adjustments may be made as per the requirements of the solicitation process and subsequent contractual agreement.

4. Technical Constraints

- a. The Theatre Small Team Kit (TSTK) is a quickly deployable Communication and Information System (CIS) meant to provide network connectivity to a maximum of NINE (09) users on TWO (02) Security Domains (xU and xS).
- b. TSTK Users will remotely consume Business Support (Voice, VTC, Email, etc.) and Functional Application Services (NATO software).
- c. The TSTK is small and portable with its Cases not exceeding the size of briefcases or hand luggage.
- d. The TSTK is a modular kit which allows it rapid extension to more users and to accommodate more Mission specific requirements, resulting in different variants.
- e. As illustrated on Figure A-1, TSTK is composed of THREE (03) kits.

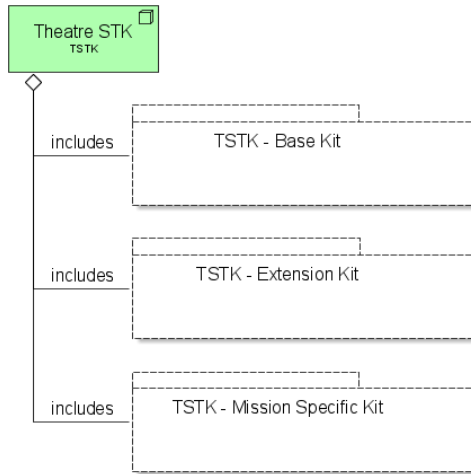


Figure A-1 – TSTK Breakdown

- f. The TSTK Base Kit is identical in all TSTK variants.
- g. As illustrated on Figure A-2, the Base Kit contains all CIS Elements to realize the xU and xS security domains, together with the minimum quantity of End-User Devices (EUD) required to operate as follow:
 1. The Small Team Node (STN) which contains:
 - i. The External Transmission Module (ETM) which is the module to connect to Transmission systems that are not under NATO control;
 - ii. The Core Network Module for Protected Core Networking (CNM-PCN) which is the module providing PCN compliant transport network over Transmission systems under NATO control;

- iii. The Core Network Module for xU and xS Security Domains (CNM-xU and CNM-xS) which provides the Network layer for the Security Domains (also known as Colour Clouds);
- iv. The User Access Module for xU and xS Security Domains (UAM-xU and UAM-xS) which provides End-User Access Connectivity for each of the Security Domain.

2. The End User Devices for xU and xS: Phone, Workstation and their ancillaries.

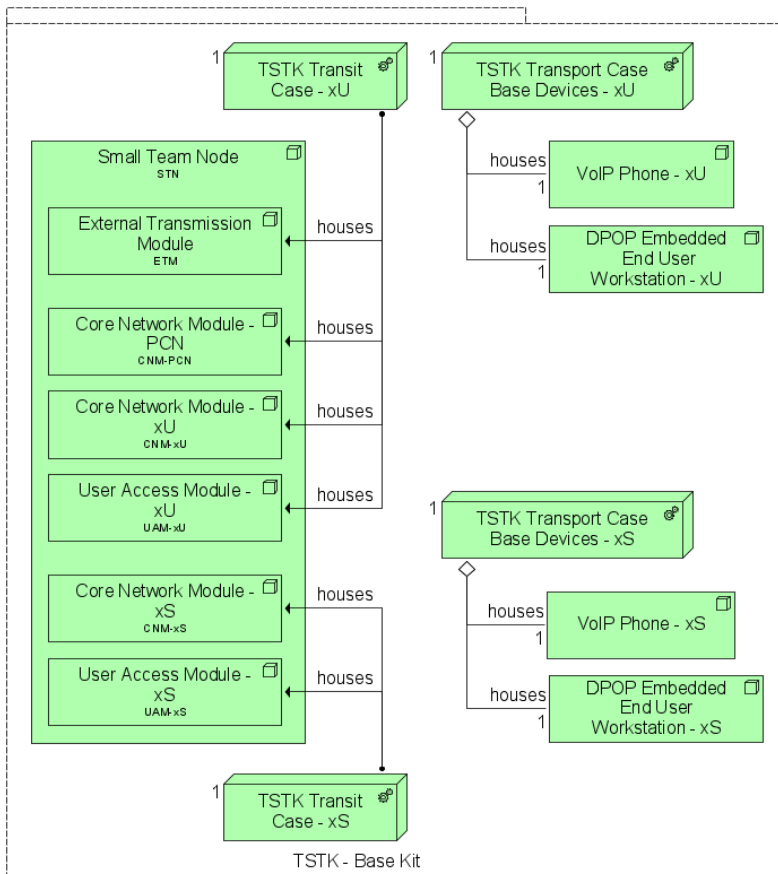


Figure A-2 – The TSTK Base Kit

- h. As illustrated on Figure A-3, the Extension Kit is a catalogue of standard extension options for more Workstations, Phones, etc.

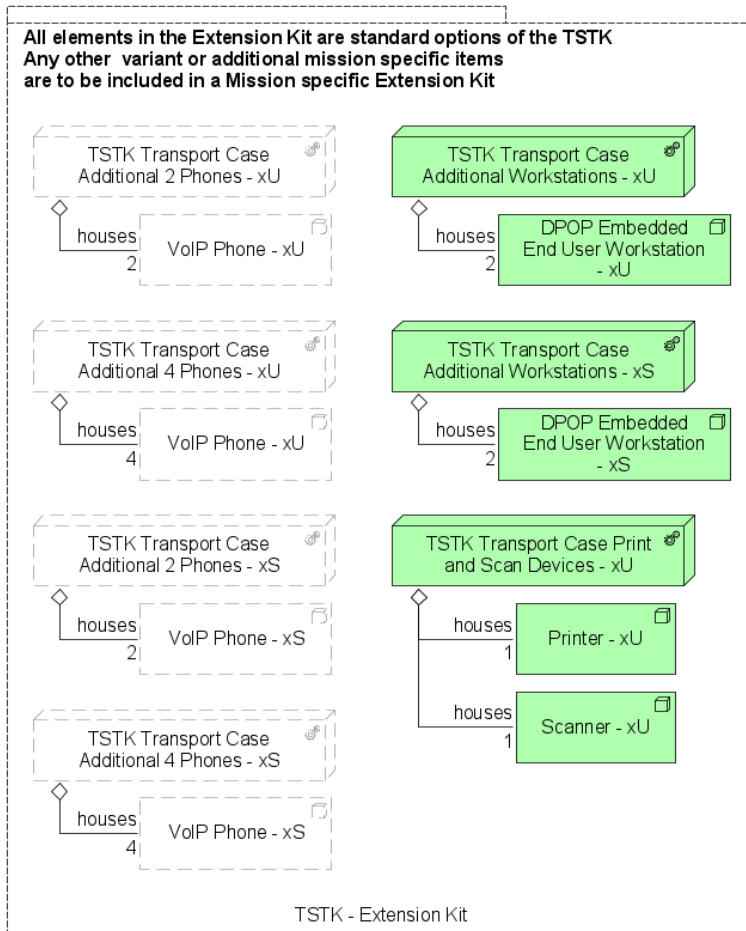


Figure A-3 – The TSTK Extension Kit

1. For the KFOR TSTK Variant, one Additional Workstations –xS case and one Print and Scan Devices xU case will be provided for each kit to fulfil the operational requirements.
2. For the NMI TSTK Variant, 4 Additional Workstations –xU cases and 4 Additional Workstations –xS cases will be provided for each kit to fulfil the operational requirements.
 - i. The Mission Specific Kit contains all Mission-specific requests such as Commercial SATCOM terminals.
 - j. Figure A-4 illustrates the KFOR TSTK variant and the content of each of its kits.

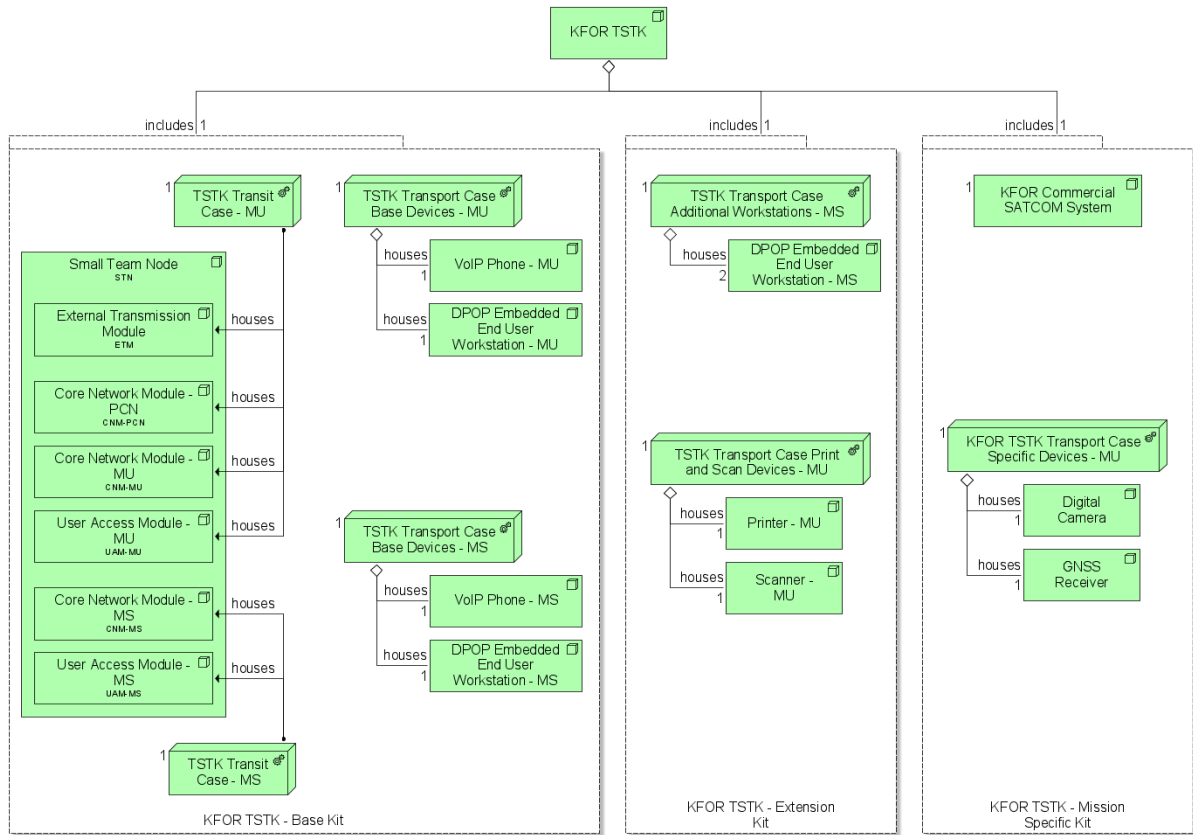


Figure A-4 – KFOR TSTK variant

k. Figure A-5 illustrates the NMI TSTK variant and the content of each of its kits.

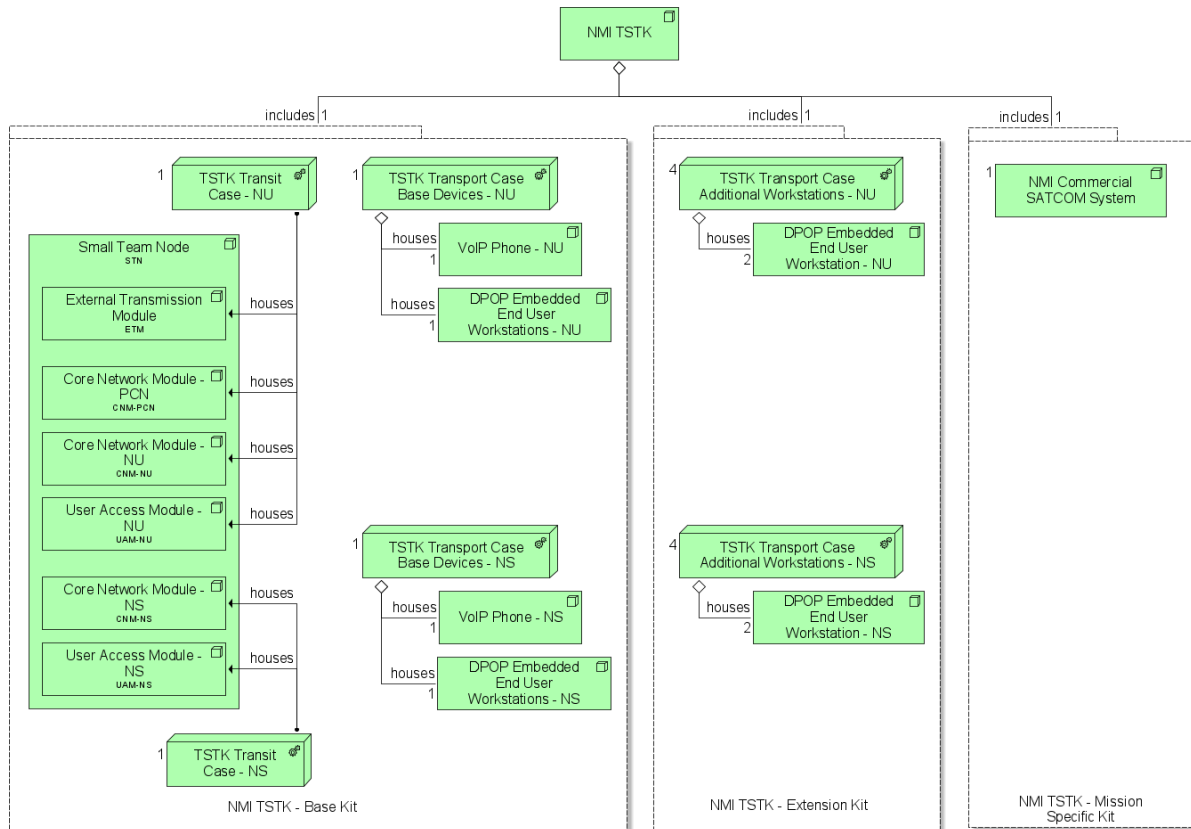


Figure A-5 – NMI TSTK Variant

- I. The TSTK is compatible with a broad spectrum of Transmission solutions including those under NATO Control (Military SATCOM and Protected Core) and those not under NATO Control (Internet of Opportunity, International Mobile Networks (4G/5G), Commercial SATCOM etc.)
- m. The TSTK supports FOUR (04) different Use Cases scenarios:
 1. On The Move (OTM): User inside Vehicle (Veh), Veh driving;
 2. At The Quick Halt (ATQH): User inside/outside Veh, Veh stopped, no additional hardware deployed;
 3. On The Pause (OTP): User outside of Veh but in close vicinity, Veh stopped, additional hardware deployed; and,
 4. Building Of Opportunity (BOO): User inside of a building of opportunity, away from parked Veh, additional hardware deployed.
- n. Figure A-6 below illustrates the TSTK connectivity concept over the various Transmission options.

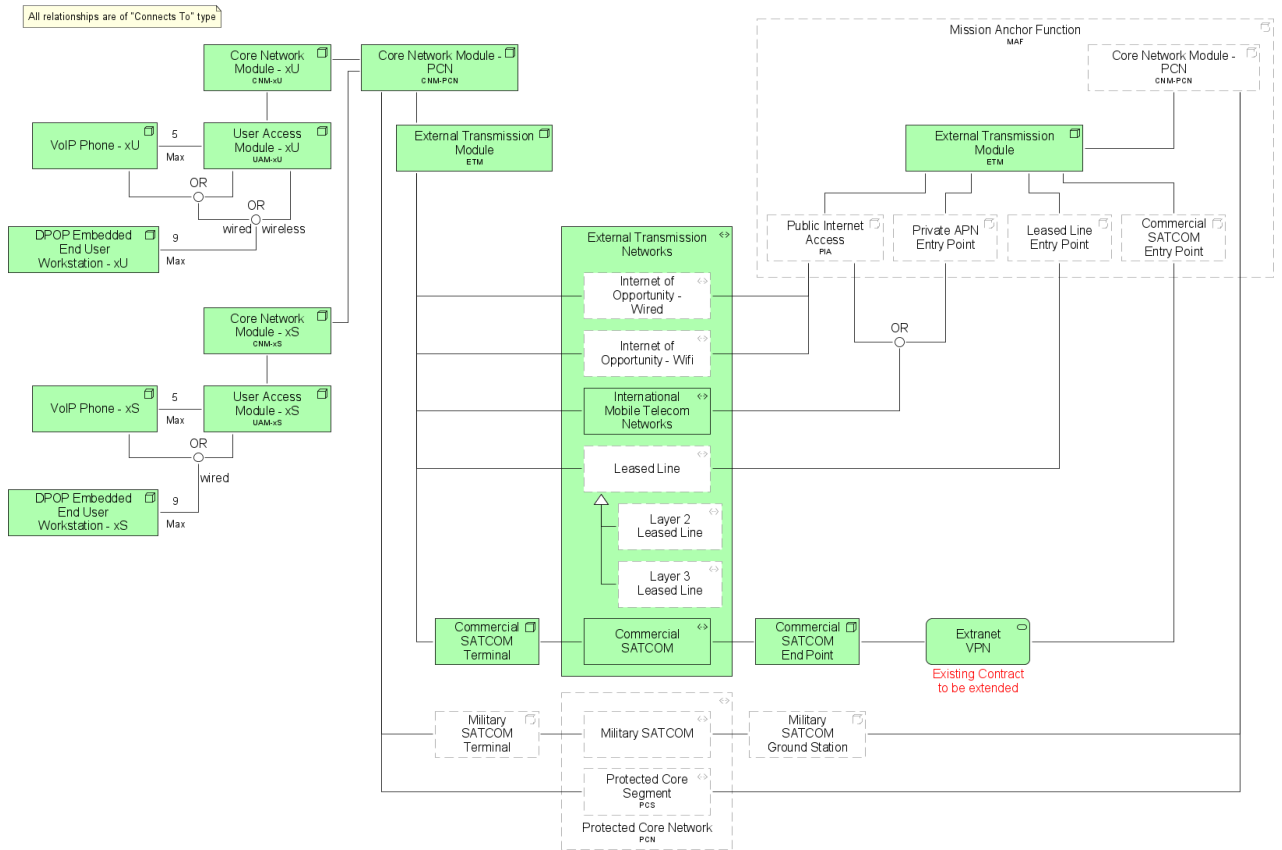


Figure A-6 – The TSTK Connectivity concepts

5. Warranty and O&M Support

- h. Following final acceptance, the contract will require warranty for any software delivered.
- i. The contract is expected to include O&M support following final acceptance.

Annex B – Distribution List

NATO Delegations:

Albania	Greece	Poland
Belgium	Hungary	Portugal
Bulgaria	Iceland	Romania
Canada	Italy	Slovakia
Croatia	Latvia	Slovenia
Czechia	Lithuania	Spain
Denmark	Luxembourg	Sweden
Estonia	Montenegro	The Republic of Türkiye
Finland	Netherlands	The United Kingdom
France	North Macedonia	The United States
Germany	Norway	

Embassies in Brussels (Attn: Commercial Attaché):

Albania	Greece	Poland
Belgium	Hungary	Portugal
Bulgaria	Iceland	Romania
Canada	Italy	Slovakia
Croatia	Latvia	Slovenia
Czechia	Lithuania	Spain
Denmark	Luxembourg	Sweden
Estonia	Montenegro	The Republic of Türkiye
Finland	Netherlands	The United Kingdom
France	North Macedonia	The United States
Germany	Norway	

NCI Agency – All NATEXs